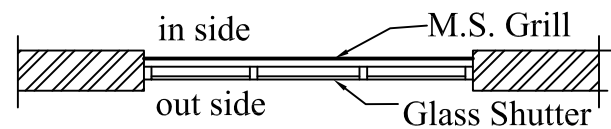


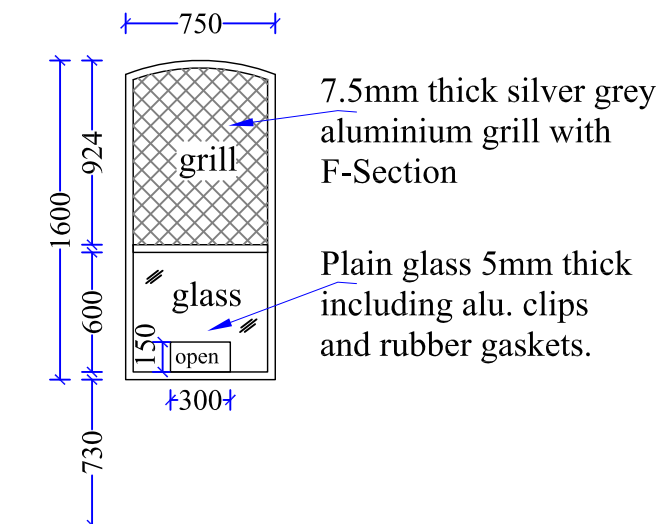
WINDOW - W1/ W2- 1400/1800 x 2000mm
Schedule Item No: 49(a)&(b)

Furniture Fittings:

1. 300mm long Friction hinges (top & bottom) (Approved make) -6nos.
2. 150mm .ALU.HANDLE (approved make) - 3nos.

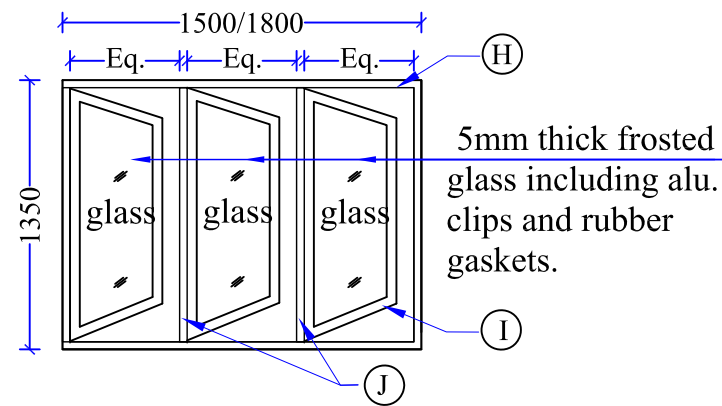


M.S. GRILL FIXING DETAIL (TYPICAL)



ALUMINIUM WINDOW - AG- 750 x 1600mm
Schedule Item No: 49(i)

Furniture Fittings:

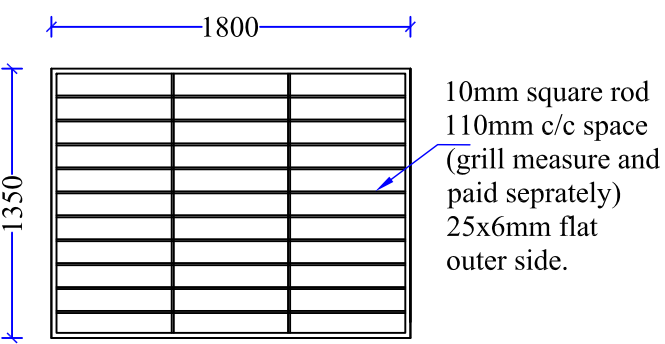
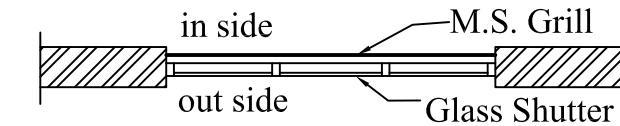


WINDOW - W3/ W4- 1500/1800 x 1350mm
Schedule Item No: 49(c)&(d)

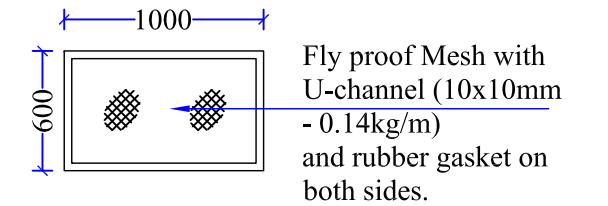
Furniture Fittings:

1. 300mm long Friction hinges (top & bottom) (Approved make) -6nos.
2. 150mm .ALU.HANDLE (approved make) - 3nos.

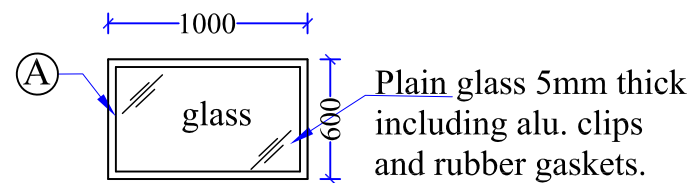
M.S. GRILL FIXING DETAIL (TYPICAL)



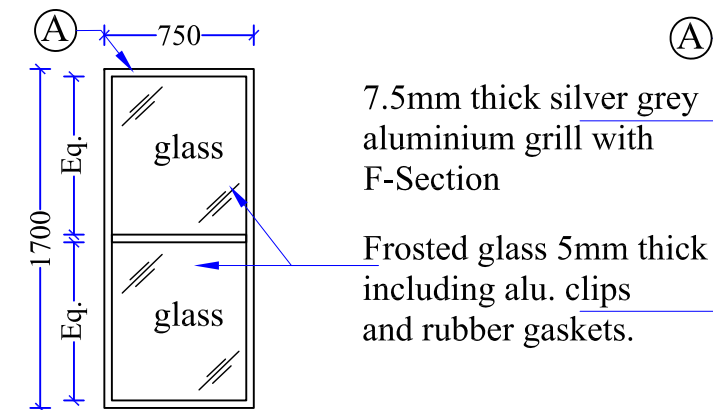
GRILL DETAIL (TYPICAL)
Schedule Item No: 52



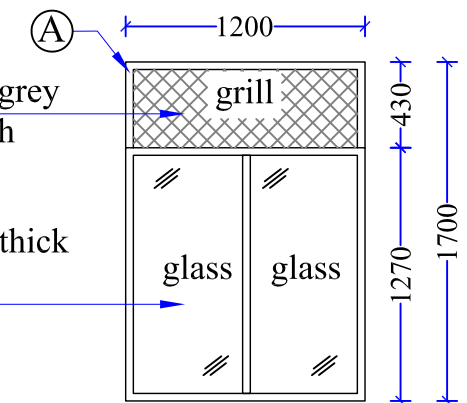
FIXED GRILL VENTILATOR - V1
1000 x 600mm Schedule Item No: 49(j)



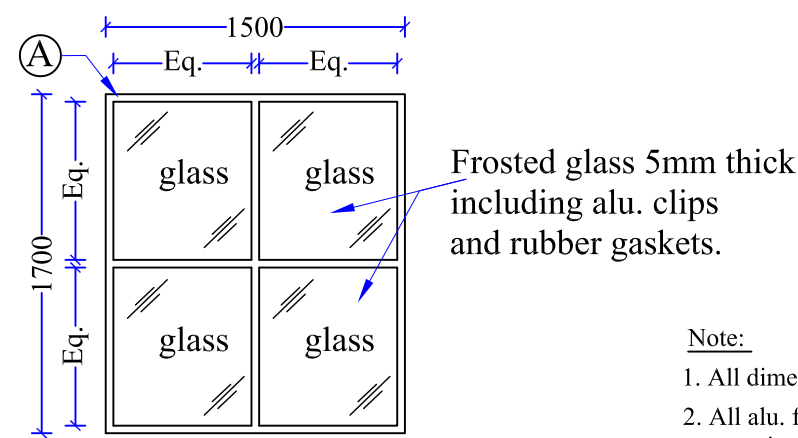
Fixed Single Glazing - FG1
1000 x 600mm
Schedule Item No: 49(e)



Fixed Single Glazing - FG4
750 x 1700mm
Schedule Item No: 49(h)



Fixed Single Glazing - FG2
1200 x 1700mm
Schedule Item No: 49(f)



Fixed Single Glazing - FG3
1500 x 1700mm
Schedule Item No: 49(g)

Note:

1. All dimensions are in mm.
2. All alu. fittings are of ISI make. unless otherwise mentioned.
3. All sizes mentioned are approximate to suit site conditions and as per actual measurements.
4. All MDF boards material shall be of duratuff exteriorgrade or equivalent make.
5. All aluminium sections are of anodised coated. (approved colour)
6. All Aluminium sections mentioned are of Jindal / approved equivalent make.

DETAILS OF ALU. MEMBERS AS PER TALCO ALU.COMPANY CATALOG				
MEMBER	SECTION NO	SECTION SIZE IN MM	THICKNESS SIZE IN MM	SECTION WEIGHT kg/m
H WINDOW OUTER FRAME	20949	33x38.5	2.03	0.497
I WINDOW SHUTTER FRAME	20940	38.5X33	1.95	0.407
J WINDOW MULLION	20941	59x33	2.1	0.851
CLIP FOR HOLDING MDF - BOARD (OR) GLASS	6701	29.14X28.0	1.10	0.245

TENDER PURPOSE ONLY

CHRISTIAN MEDICAL COLLEGE-VELLORE

PROPOSED MODIFICATION OF M WARD GROUND FLOOR FOR GASTROENTEROLOGY AT CMC TOWN CAMPUS.

ALUMINIUM DOOR & PARTITION DETAILS

CHECKED : D.G	DATE : 23.04.2024	SCALE : NTS.
DRAWN : JANE	DWG.NO: CMC/GS/J-02	PLANNING ENGINEER: